

# Dock ↔ DHH Copper Interface

- GCLK (76MHz), TRG 2xLVDS
- Current Monitor 2 lines
- VDD\_Sense, VSS\_Sense 2 lines
- JTAG 4xLVDS
- Optical Transceiver Power 2 lines (>26AWG)
- GND
- SHIELD

---

10 Differential Lines  
GND – inner shield  
Shield - outer shield  
LSHF type cable

# TUM SDR-SDR CAMERA Link Cable from STEMMER Imaging



1	+12 VDC	AWG 24 (red)	◇	1	+12 VDC
26	+12 VDC	AWG 24 (black)	◇	26	+12 VDC
13	Inner Shield (GND)	(drain wires of Star Quad)	◇	13	Inner Shield (GND)
14	Inner Shield (GND)	(drain wires of Star Quad)	◇	14	Inner Shield (GND)
<b>(Star Quad red individual shielded)</b>					
2	X0-	black => "Star Quad red" AWG 28	◇	25	X0-
15	X0+	brown => "Star Quad red" AWG 28	◇	12	X0+
3	X1-	green => "Star Quad red" AWG 28	◇	24	X1-
16	X1+	red => "Star Quad red" AWG 28	◇	11	X1+
<b>(Star Quad blue individual shielded)</b>					
4	X2-	black => "Star Quad blue" AWG 28	◇	23	X2-
17	X2+	brown => "Star Quad blue" AWG 28	◇	10	X2+
5	Xclk-	green => "Star Quad blue" AWG 28	◇	22	Xclk-
18	Xclk+	blue => "Star Quad blue" AWG 28	◇	9	Xclk+
<b>(Star Quad yellow individual shielded)</b>					
6	X3-	black => "Star Quad yellow" AWG 28	◇	21	X3-
19	X3+	brown => "Star Quad yellow" AWG 28	◇	8	X3+
7	SerTC+	green => "Star Quad yellow" AWG 28	◇	20	SerTC+
20	SerTC-	yellow => "Star Quad yellow" AWG 28	◇	7	SerTC-
<b>twisted-pair unshielded AWG 28</b>					
8	SerTFG-	red	◇	19	SerTFG-
21	SerTFG+	white	◇	6	SerTFG+
9	CC1-	blue	◇	18	CC1-
22	CC1+	white	◇	5	CC1+
10	CC2+	green	◇	17	CC2+
23	CC2-	white	◇	4	CC2-
11	CC3-	yellow	◇	16	CC3-
24	CC3+	white	◇	3	CC3+
12	CC4+	orange	◇	15	CC4+
25	CC4-	white	◇	2	CC4-
Main shield on housing		Braid Shield + Foil Shield	◇	Main shield on housing	

Dock Box

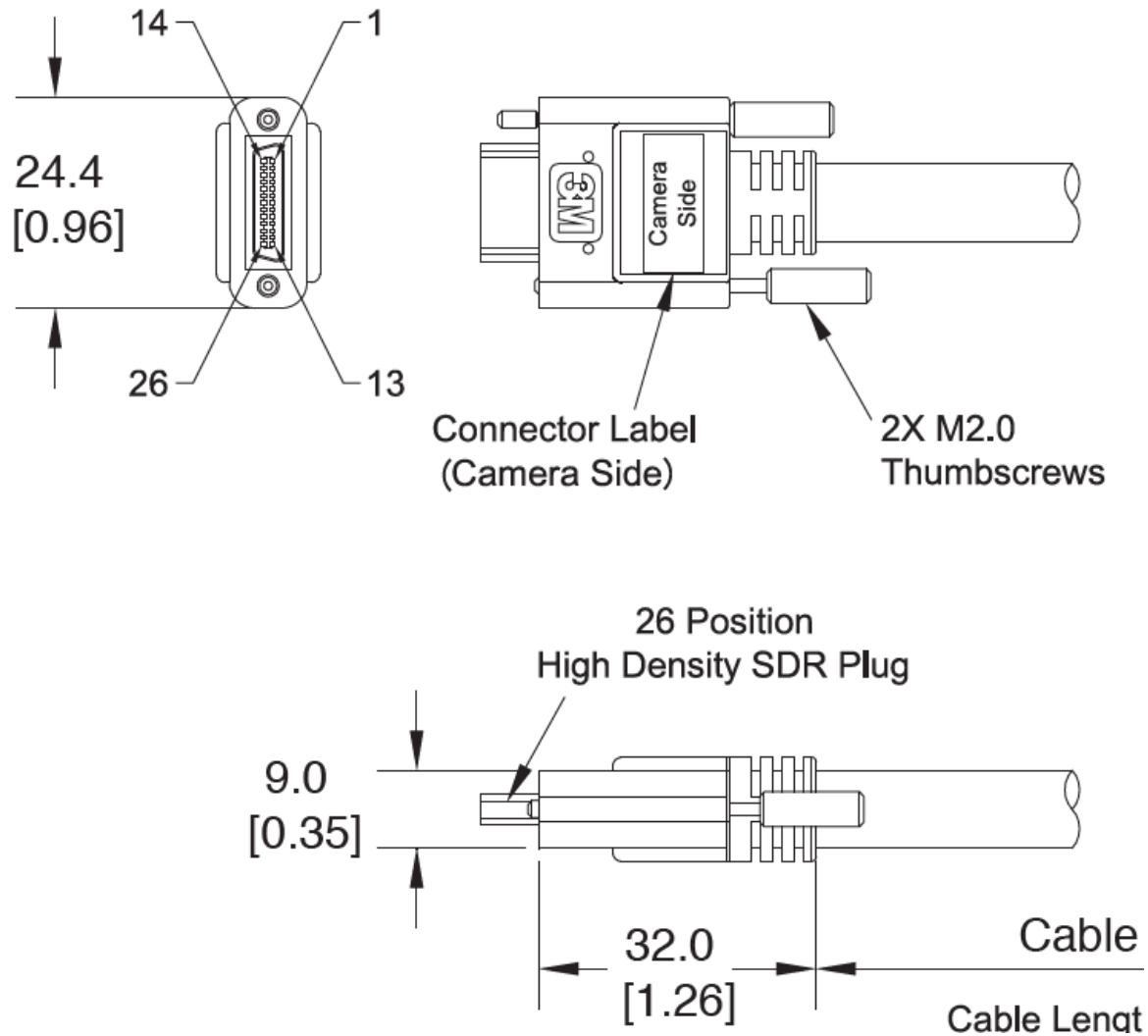
DHH

# Cable Technical Specification

<b>Pin</b>	<b>Camera</b>	<b>Color</b>	<b>Pin</b>	<b>FrameGrabber</b>
	26-pol. HONDA-HDR (male) Thumb screws M2 metal housing	<b>Industrial CameraLink-Cable (zero halogen) PoCL (OD ca. 8,8 mm)</b>		26-pol. HONDA-HDR (male) Thumb screws M2 metal housing
	<b>Label: "Camera"</b>			<b>Label: "FrameGrabber"</b>

CABLE CL-IND-XM R1	
<b>Construction</b>	
Sheath	Special PUR, abrasion-resistant, scuff resistant
Colour	black (similar to RAL 9005) semi gloss
Outer-Ø	(8,8 ± 0,25) mm
Bedruckung	STEMMER IMAGING – Industrial (IND-Line) CameraLink® (PoCL) TRACK Cable – 80 °C 30V – Zero Halogen
<b>Electrical data (20°)</b>	
Conductor resistance	≤ 234,0 Ω/km
Insulating resistance	> 200 MΩ x km
Delay	nom. 5,0 ns/m
SKEW	≤ 30 ps/m
Impedance	100 ±10 Ω
Supply voltage	≤ 30 V
<b>Other data</b>	
Temperature	-40 °C to +80 °C (storage, transport and operation) -5 °C to +60 °C (laying and usage)
Bend radius	singular: ≥ 5x cable-Ø moved minimal: ≥ 10x cable-Ø moved optimal: ≥ 15x cable-Ø
Bend cycle	≥ 3 Mio cycle

# SDR Connector Dimensions



# DHH Side Pin Assignement

