

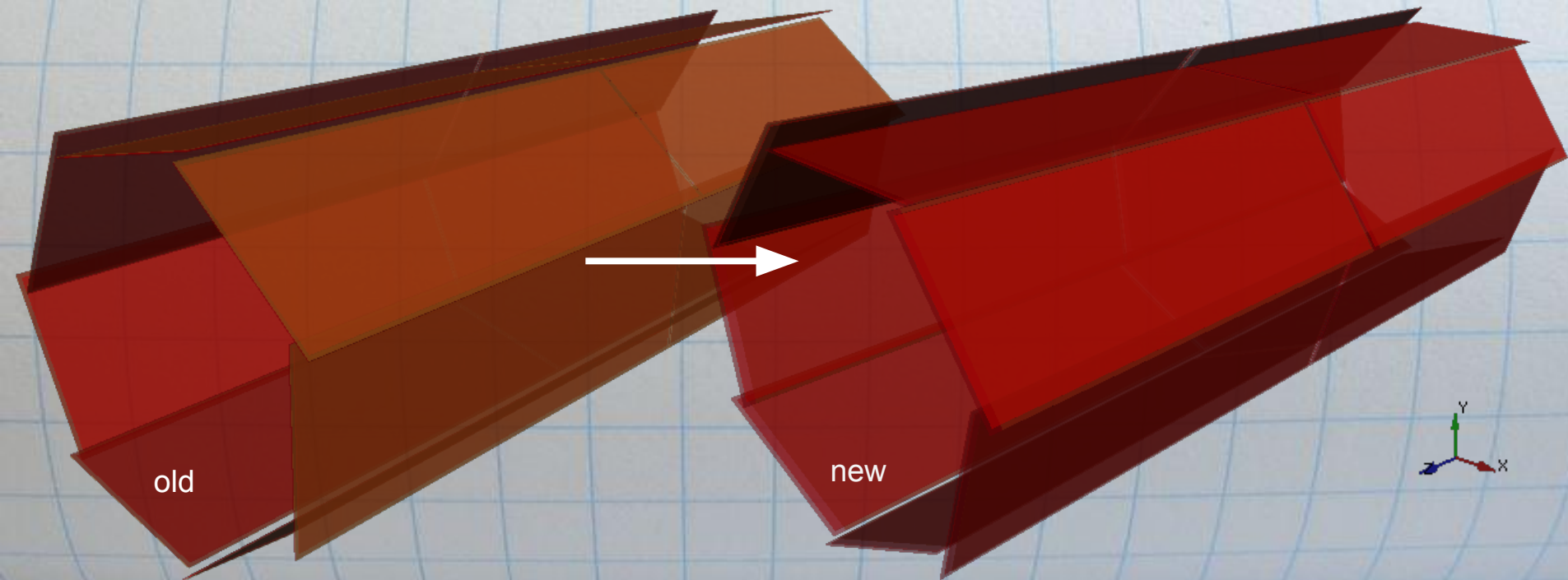
# SVD Geometry Implementation

Update to rev. 2.2



# Sensors

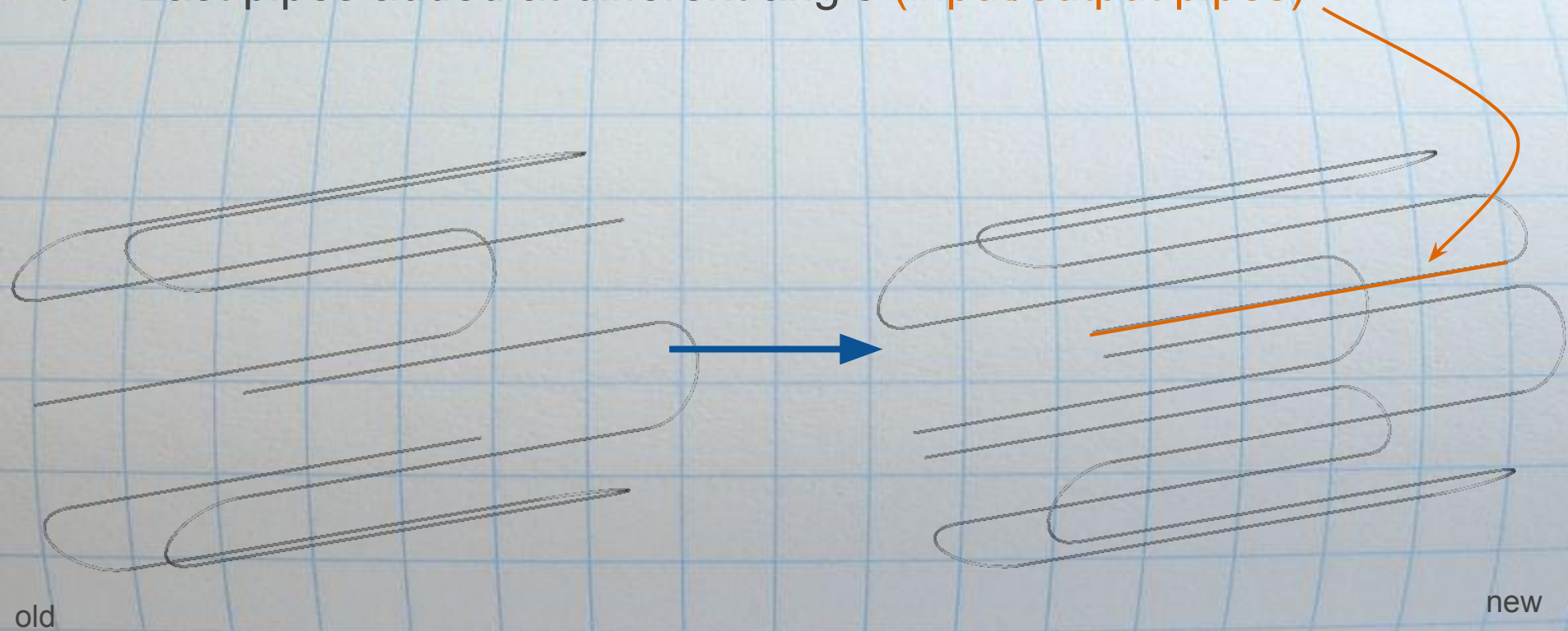
- ✓ Ladders positions (rotated & shifted)
- ✓ Sensor positions (shifted)
- ✓ Layer 3 sensors (resized & kapton moved to the bottom)



$\phi = 15^\circ$ ; shift = 0.686 mm; radius += 0.17 mm; DSSD length += 4.86 mm;

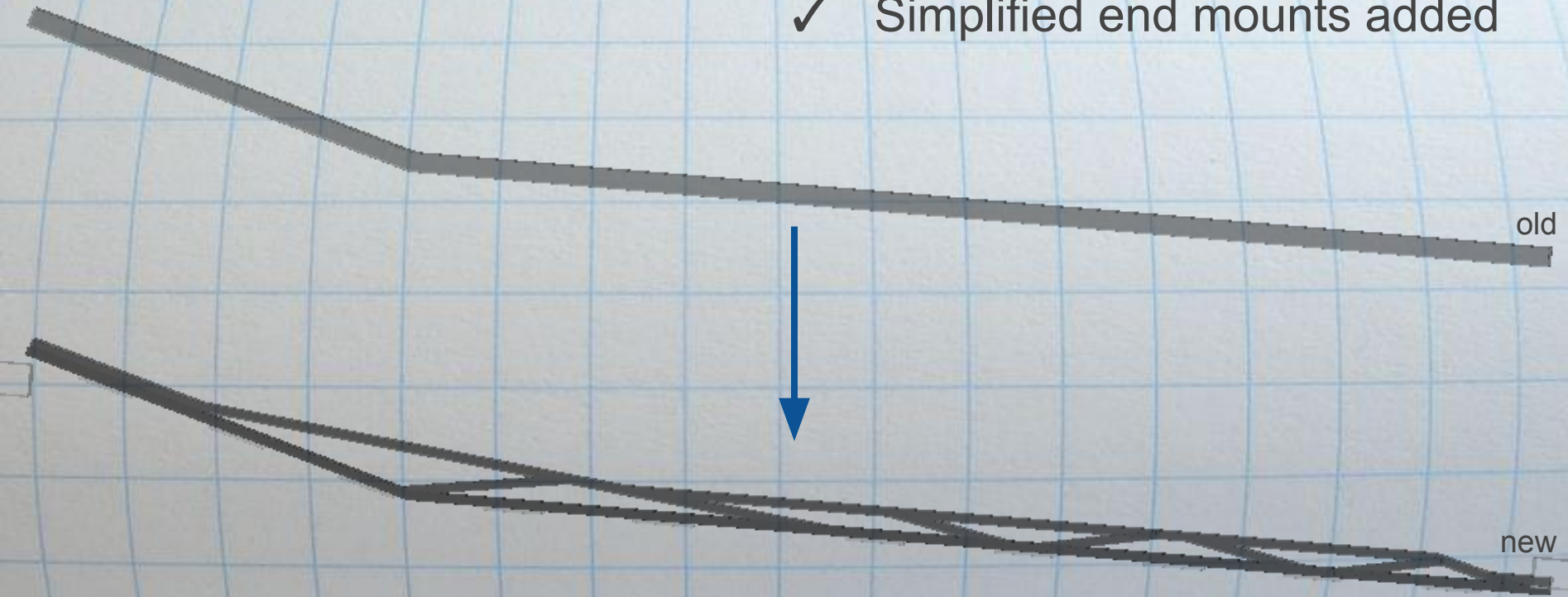
# Cooling Pipes

- ✓ Rotated along with ladders
- ✓ Last pipes added at different angle (input/output pipes)



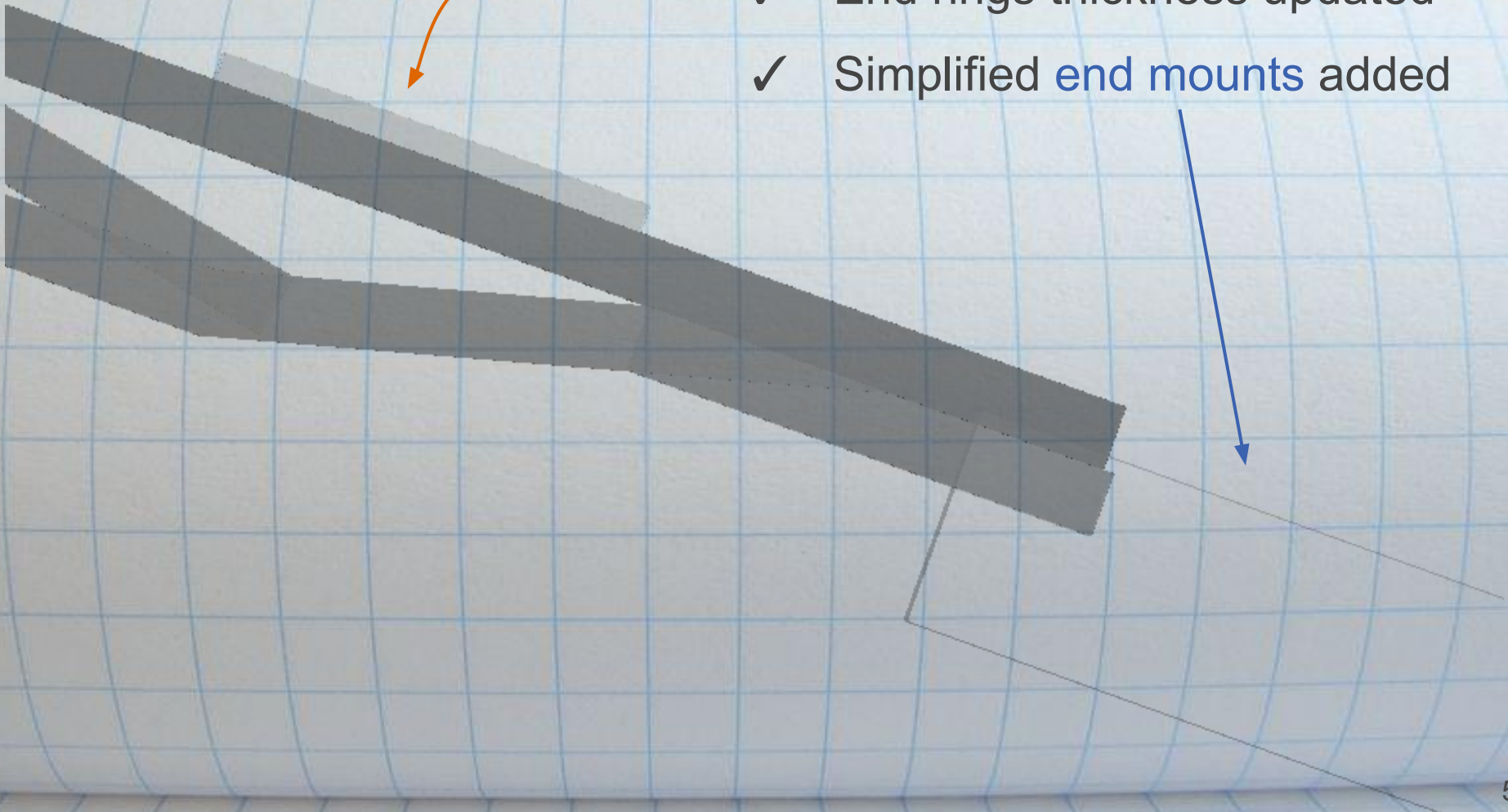
# Support

- ✓ Ribs adjusted, tabs added
- ✓ End rings thickness updated
- ✓ Simplified end mounts added



# Support

- ✓ Ribs adjusted, **tabs** added
- ✓ End rings thickness updated
- ✓ Simplified **end mounts** added



# Support

- ✓ Support for Layer 3 added

