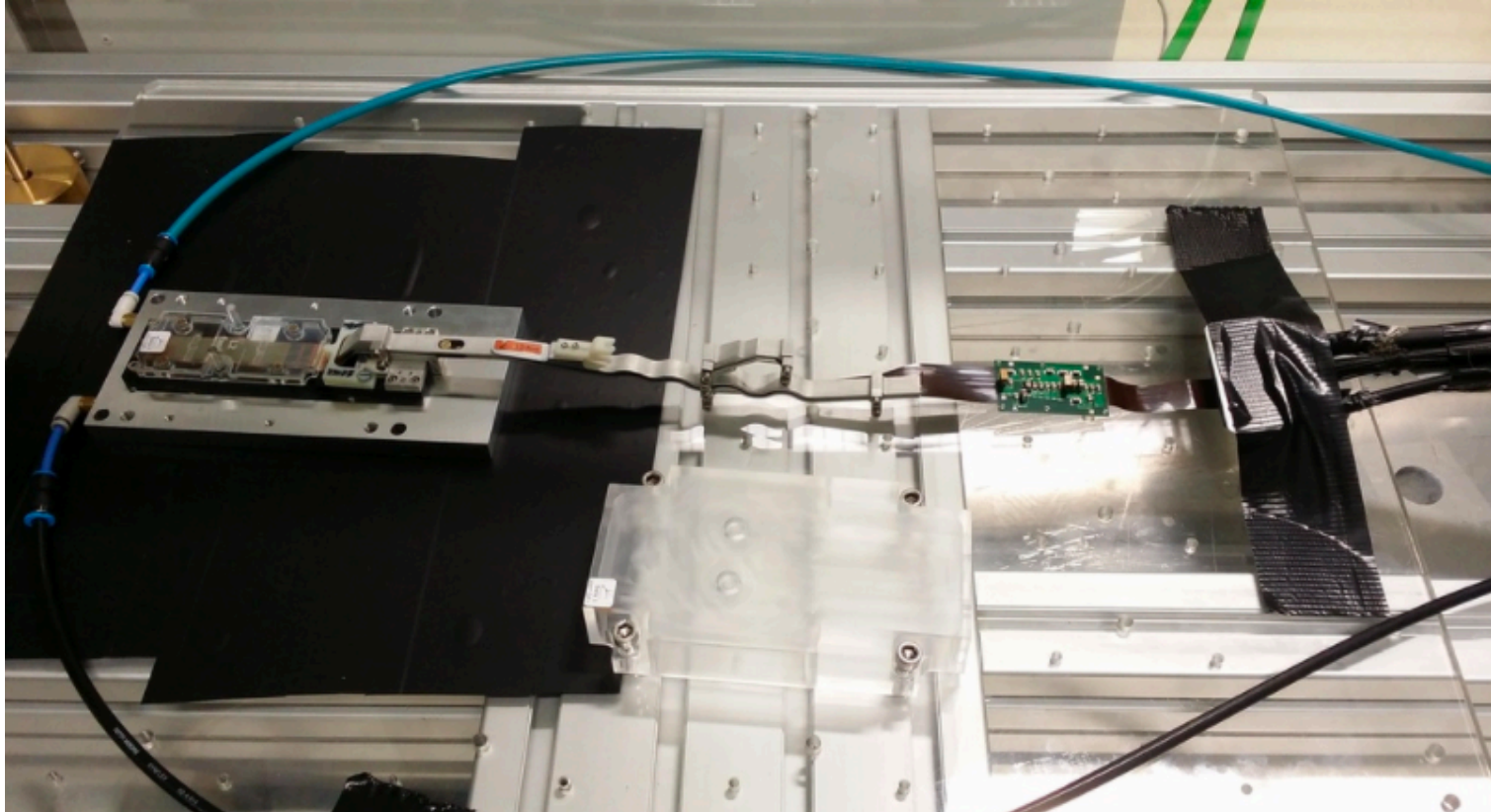




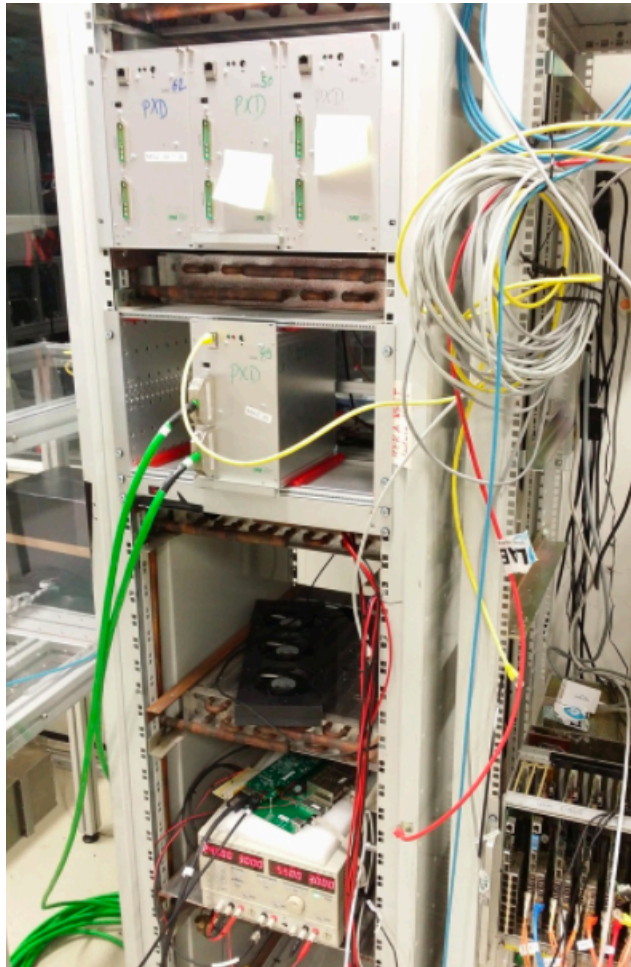
- 8 PXD modules mounted
 - 7 data generators
 - 1 functional module

1 functional OF module
locates outside the volume

DESY testing setup



PS testing



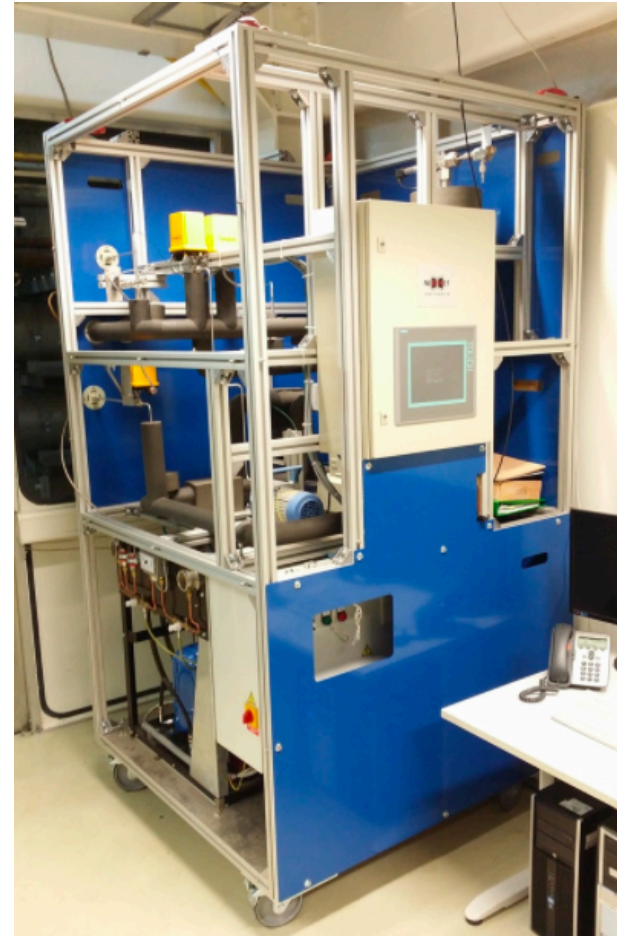
Cooling systems



Marco



XFEL Cooler



Cleanroom for Phase 3 Commissioning

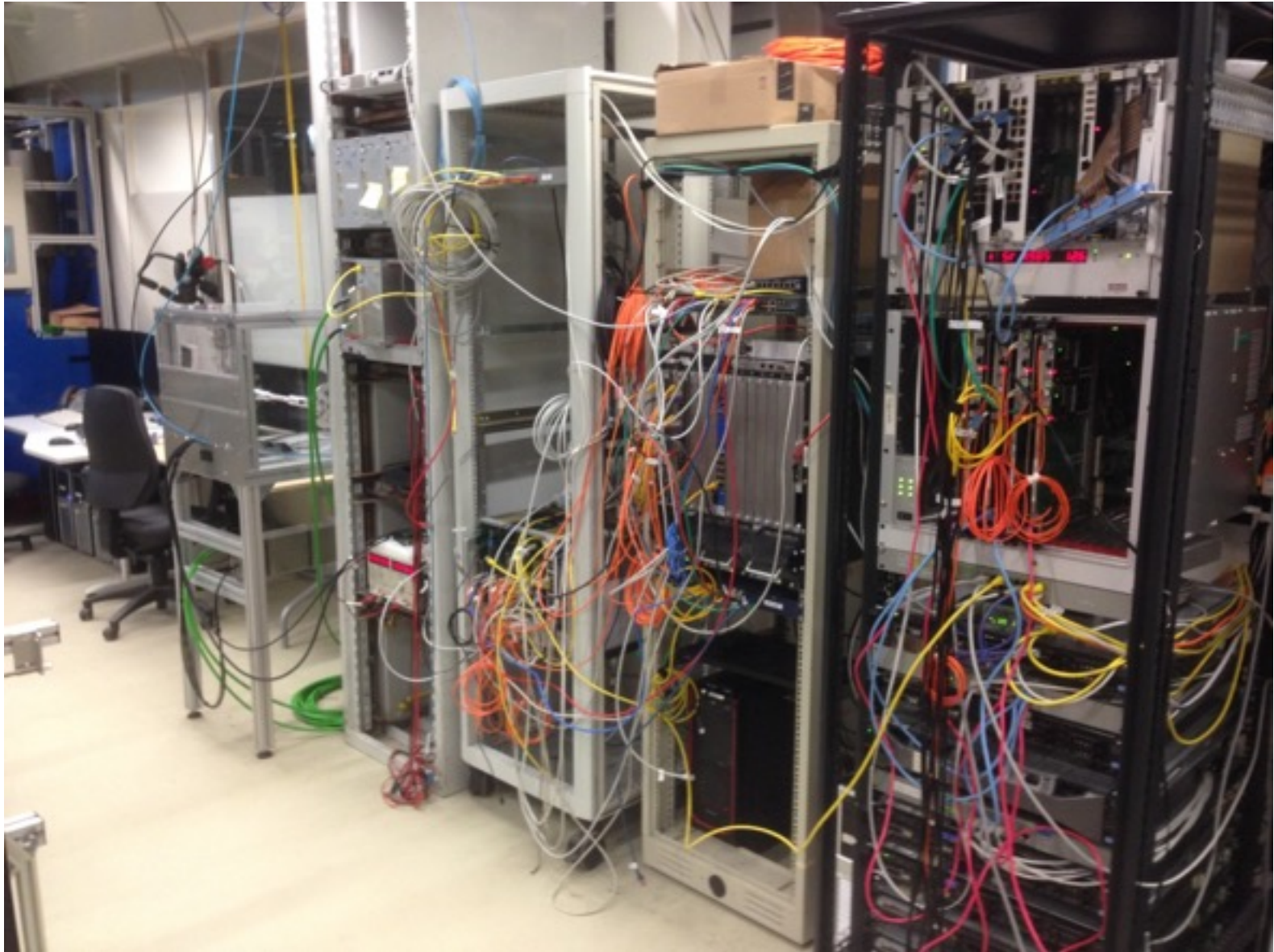


Halfshell commissioning

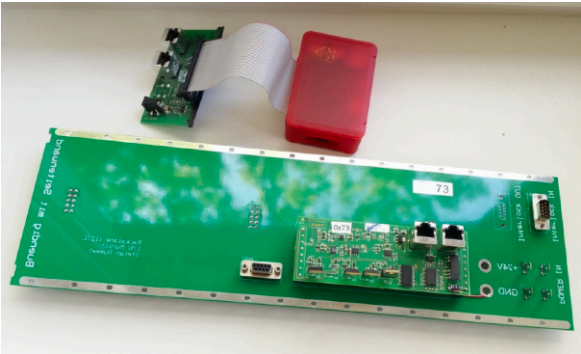
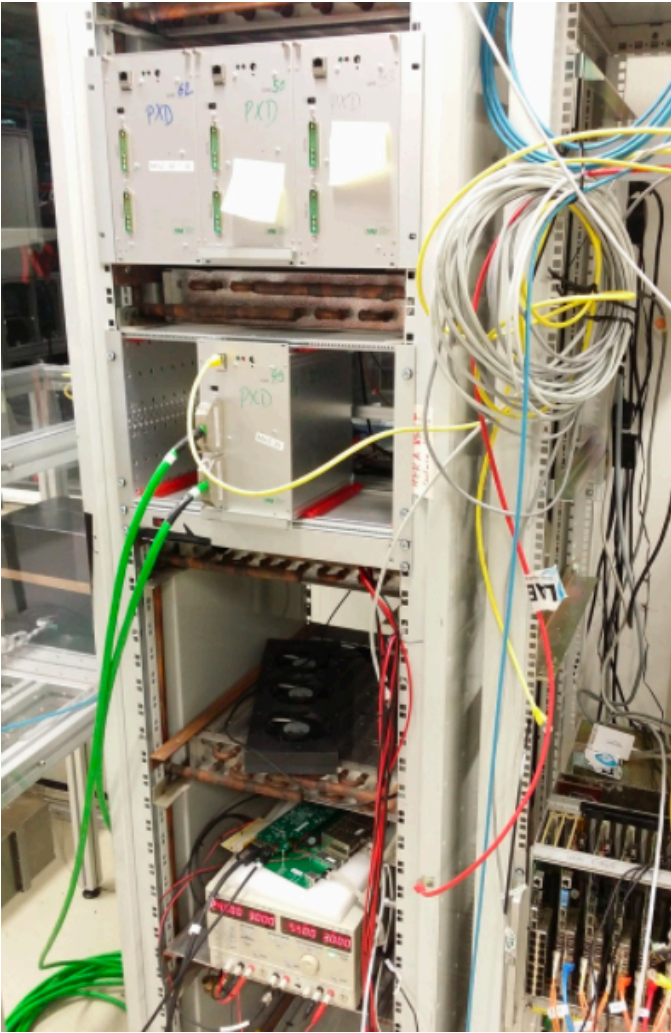


Halfshell assembly

Electronics/DAQ will move to Gallery



Power Supply Testing



MARCO + Manifolds



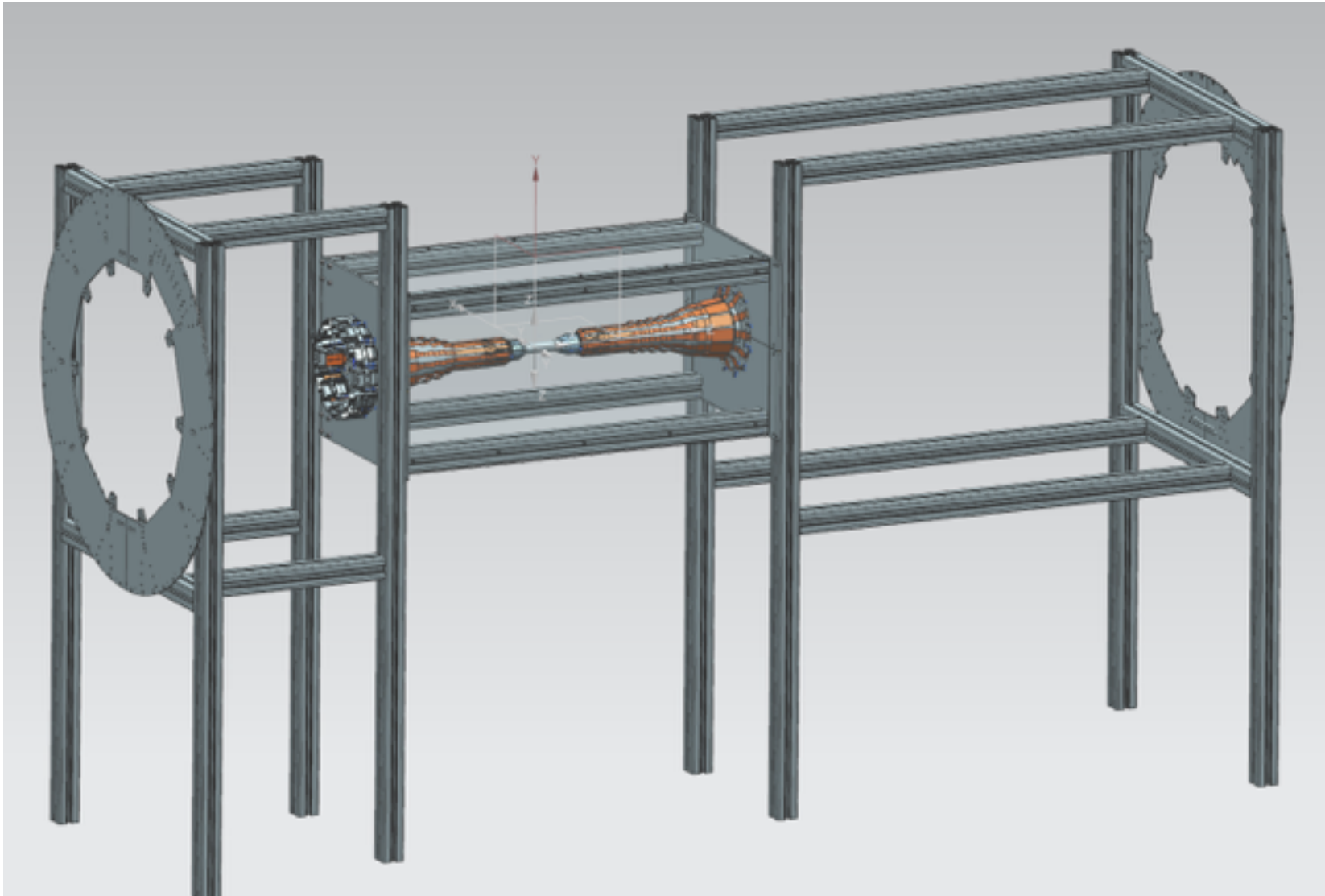
Backup System: XFEL Cooler



Backup solution for PXD commissioning if MARCO has to go to KEK before PXD

Halfshell Support Structure

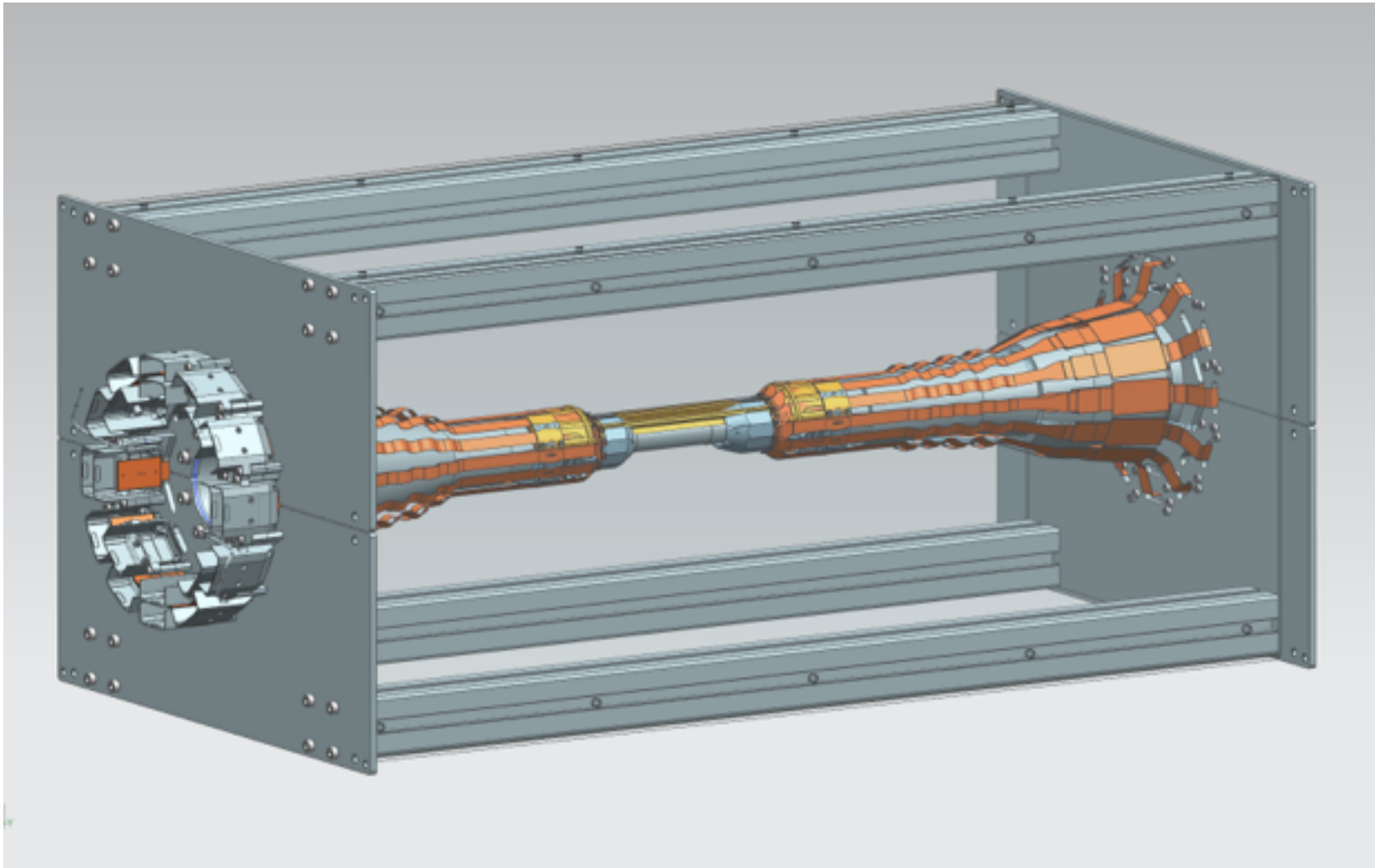
R.Stever



Work in progress

Halfshell Support Structure

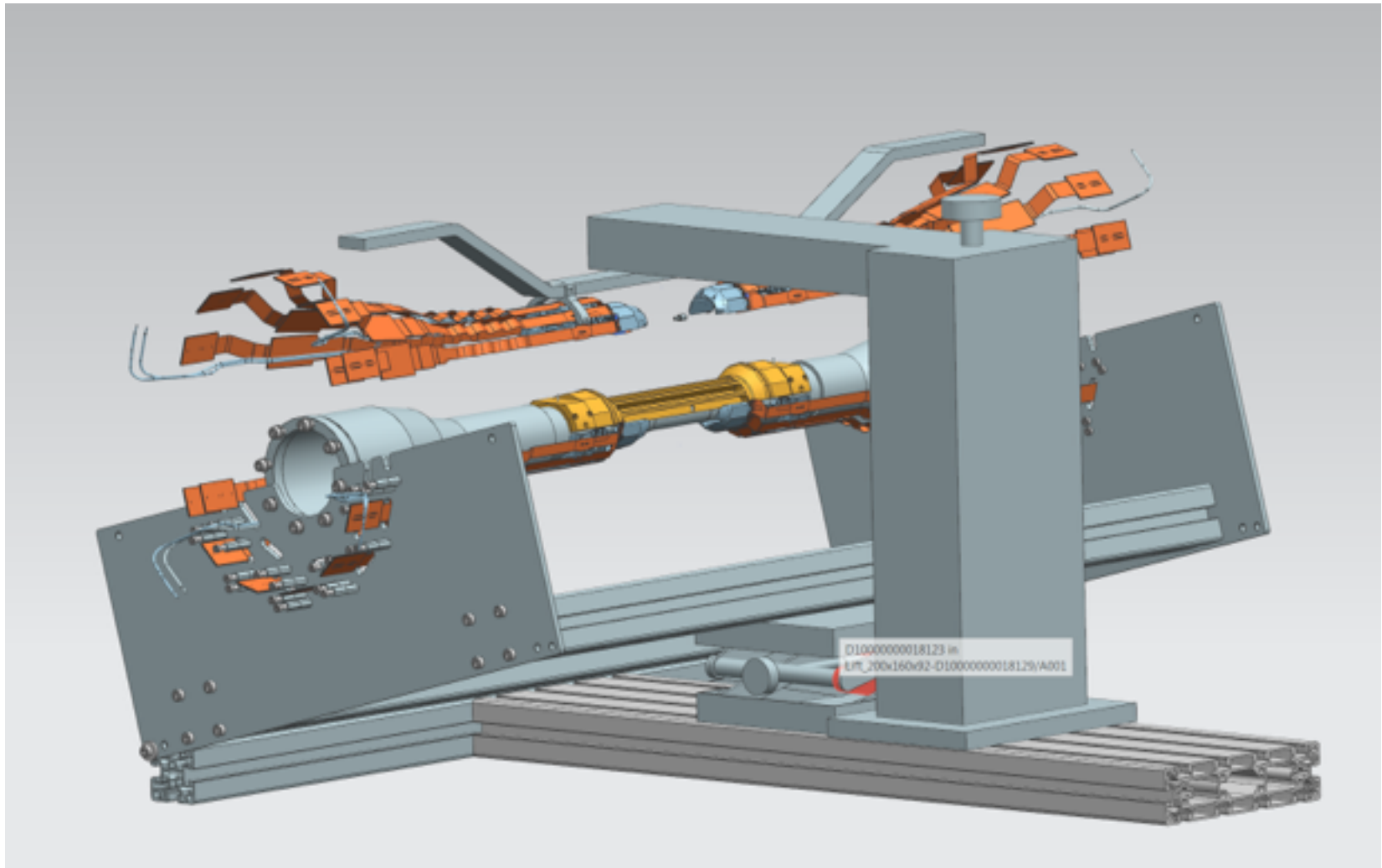
R.Stever



Work in progress

Halfshell Support Structure

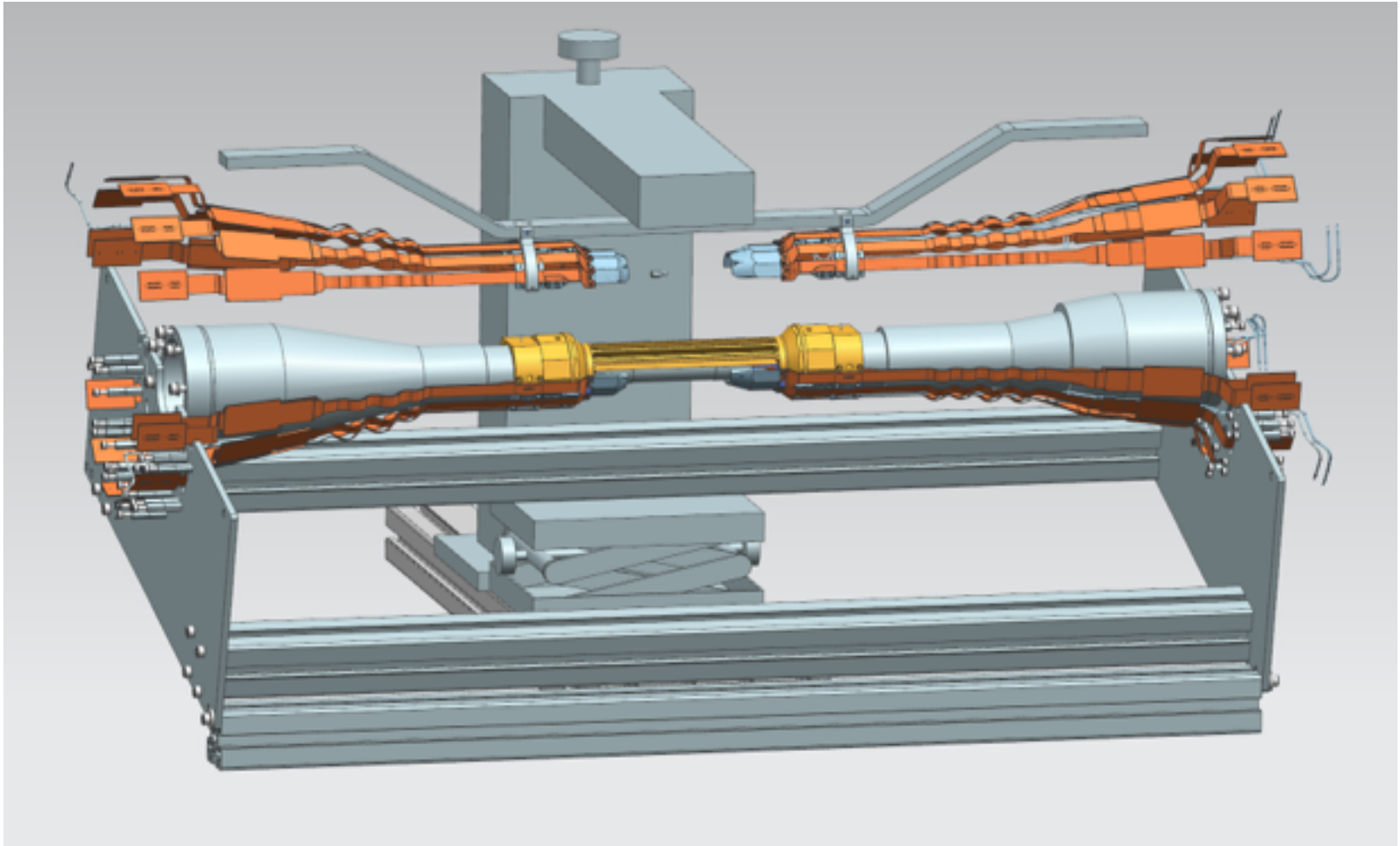
R.Stever



Work in progress

Halfshell Support Structure

R.Stever



Work in progress