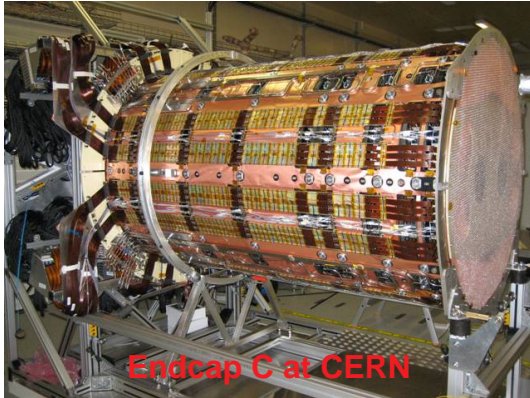


Status of the SCT



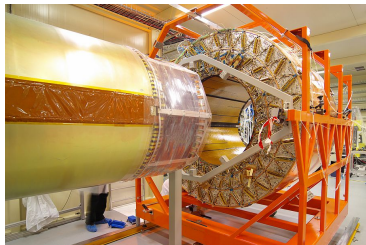
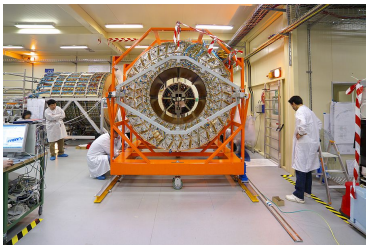
Munich April 24, 2006

Richard Nisius (MPI München)

nisius@mppmu.mpg.de

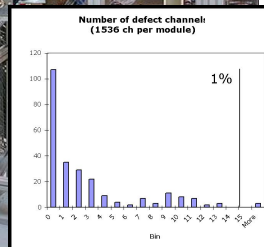
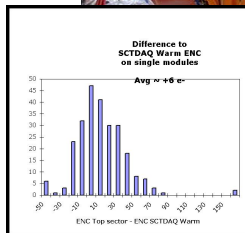
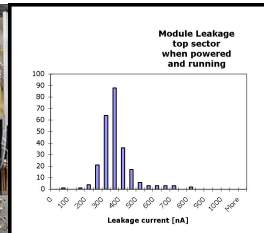
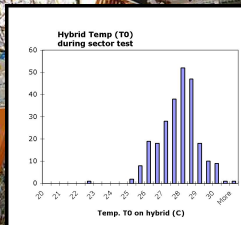
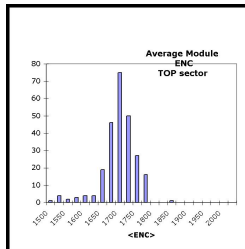


The SCT-TRT Barrel Integration



The SCT insertion was smoothly performed on February 17, 2006.

The SCT Barrel Tests



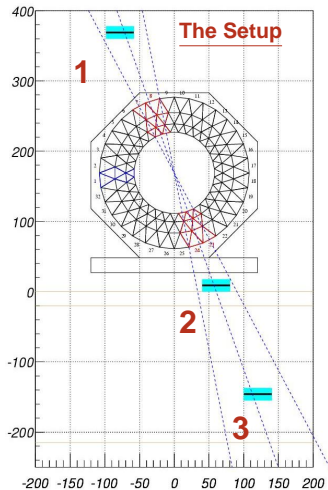
The modules basically performed as expected

The ENDCAP A on its Trip from NIKHEF to CERN

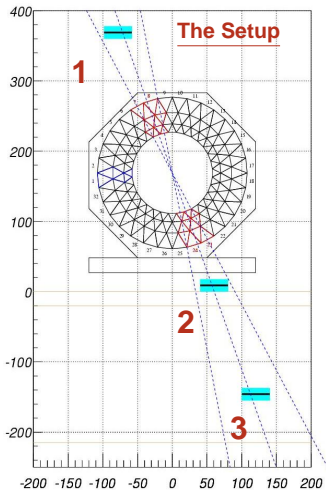


The transport went smoothly on April 19, 2006.

The combined SCT TRT Cosmic Ray Test



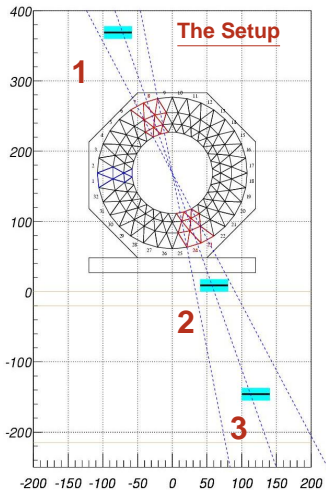
The combined SCT TRT Cosmic Ray Test



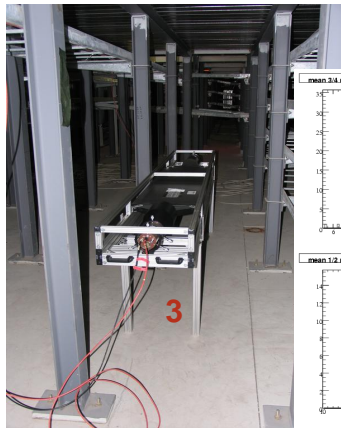
The Scintillator below the false Floor



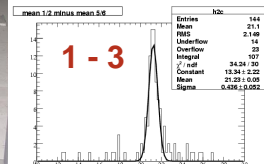
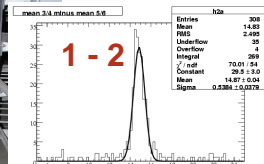
The combined SCT TRT Cosmic Ray Test



The Scintillator below the false Floor



The TOF



The trigger is running and has already been used to test the TRT DAQ.

Conclusions and Outlook

- The SCT into TRT insertion went smoothly for the barrel.
- The combined test of the barrel is imminent, TRT data were taken already.
- We contributed to the trigger setup of the combined cosmic ray test by Nabil Ghodbane.

Conclusions and Outlook

- The SCT into TRT insertion went smoothly for the barrel.
- The combined test of the barrel is imminent, TRT data were taken already.
- We contributed to the trigger setup of the combined cosmic ray test by Nabil Ghodbane.

- Both SCT endcaps are fully equipped with modules and are now at CERN.
- The manufacturing of the endcap thermal enclosures is now on the critical path.

Conclusions and Outlook

- The SCT into TRT insertion went smoothly for the barrel.
- The combined test of the barrel is imminent, TRT data were taken already.
- We contributed to the trigger setup of the combined cosmic ray test by Nabil Ghodbane.

- Both SCT endcaps are fully equipped with modules and are now at CERN.
- The manufacturing of the endcap thermal enclosures is now on the critical path.

- Sophie Patariaia has recently joined our group as an IMPRS PhD student.
- We are extending our top analysis, from the mass determination to the measurement of the top quark pair production cross-section.
- We extended the alignment studies to Combined TestBeam data and in future hopefully also to cosmic ray data taken with the final detectors in the SR1 building.
- An inner detector alignment and commissioning Workshop organised by the MPI SCT Group will be held at Ringberg Castle, June 12-16, 2006.

Conclusions and Outlook

- The SCT into TRT insertion went smoothly for the barrel.
- The combined test of the barrel is imminent, TRT data were taken already.
- We contributed to the trigger setup of the combined cosmic ray test by Nabil Ghodbane.

- Both SCT endcaps are fully equipped with modules and are now at CERN.
- The manufacturing of the endcap thermal enclosures is now on the critical path.

- Sophie Pataraiia has recently joined our group as an IMPRS PhD student.
- We are extending our top analysis, from the mass determination to the measurement of the top quark pair production cross-section.
- We extended the alignment studies to Combined TestBeam data and in future hopefully also to cosmic ray data taken with the final detectors in the SR1 building.
- An inner detector alignment and commissioning Workshop organised by the MPI SCT Group will be held at Ringberg Castle, June 12-16, 2006.

The SCT group at MPI is very active and still growing.