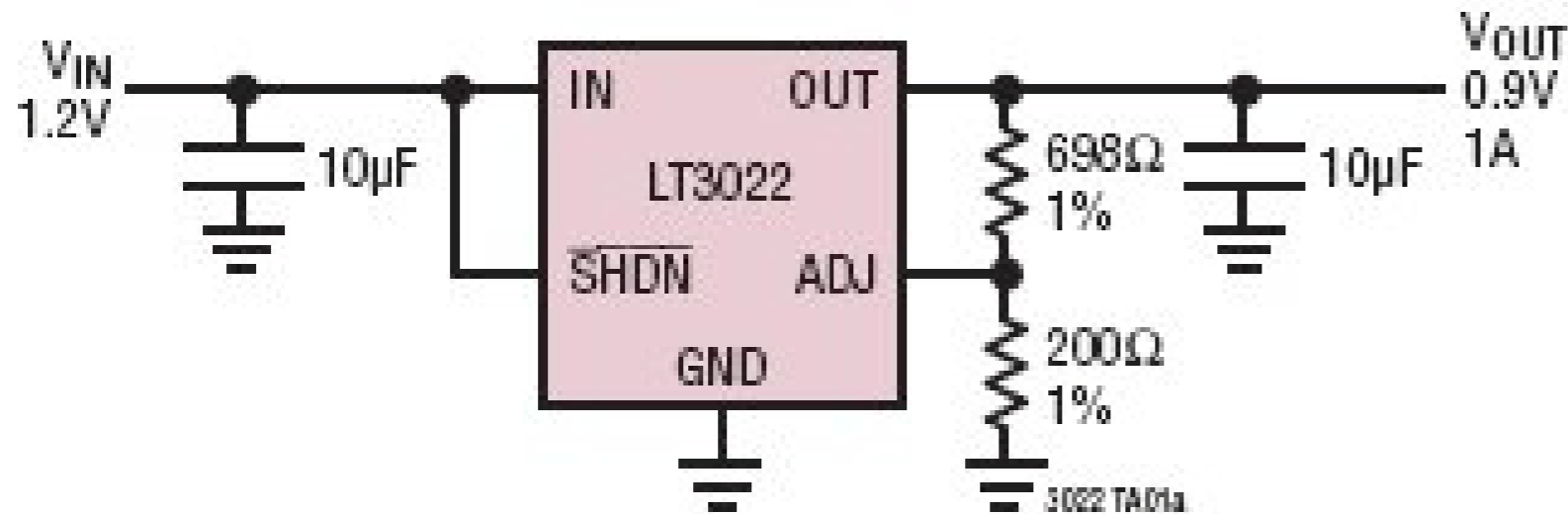


Voltage range: 0.9V-1.4V

1.2V to 0.9V, 1A VLDO Regulator



Features

V_{IN} Range: 0.9V to 10V

Dropout Voltage: 145mV Typical

Output Current: 1A

Adjustable Output ($V_{REF} = V_{OUT(MIN)} = 200mV$)

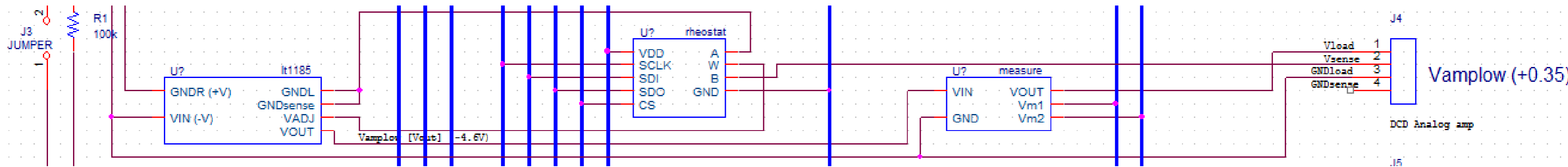
Stable with Low ESR, Ceramic Output Capacitors (10µF Minimum)

0.05% Typical Load Regulation from 1mA to 1A

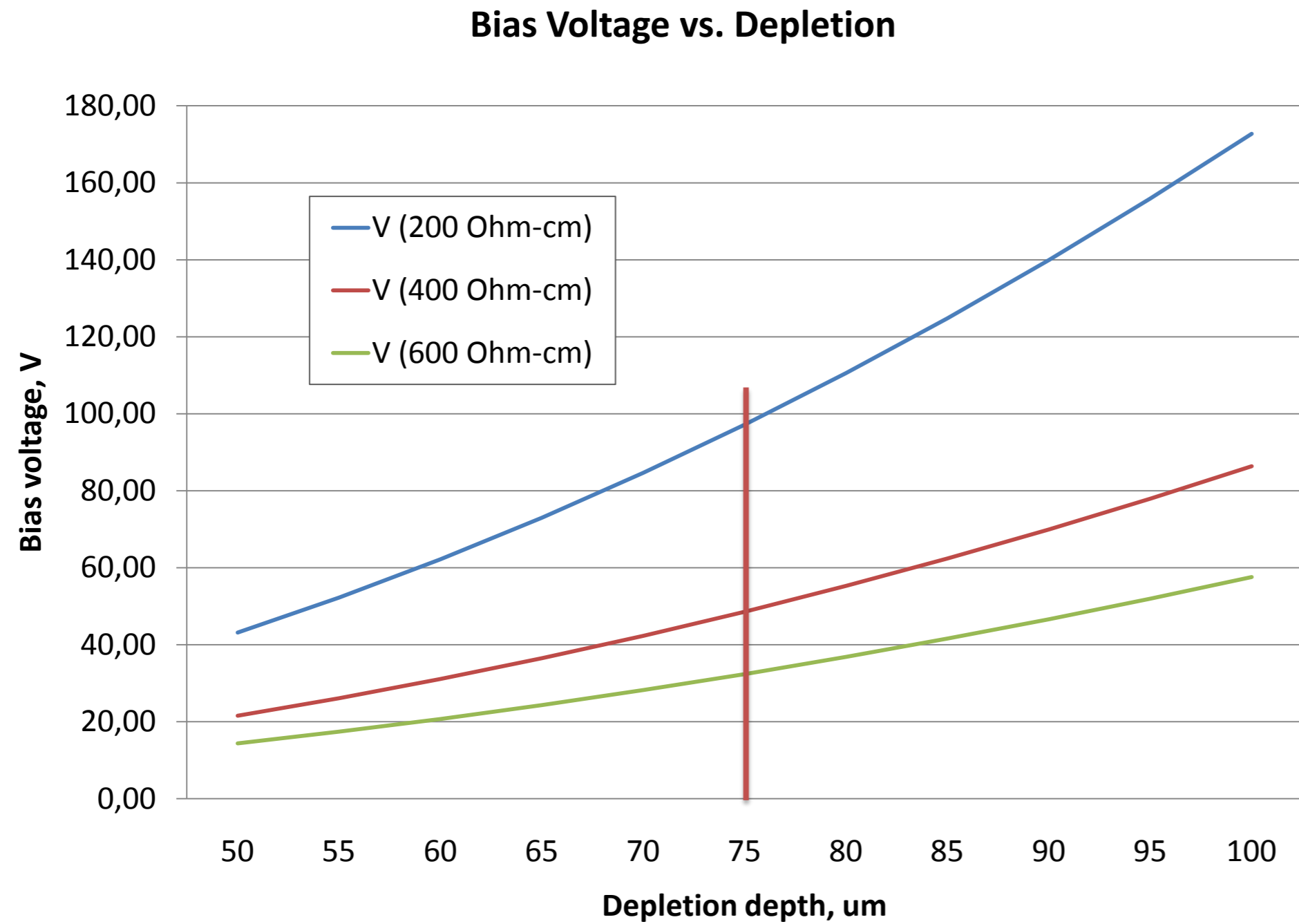
Quiescent Current: 400µA Typical

7.5µA Typical Quiescent Current in Shutdown

Current Limit Protection



One large change: the backplane voltage may be up to -80V (75 micron instead of 50 and option of punch through)

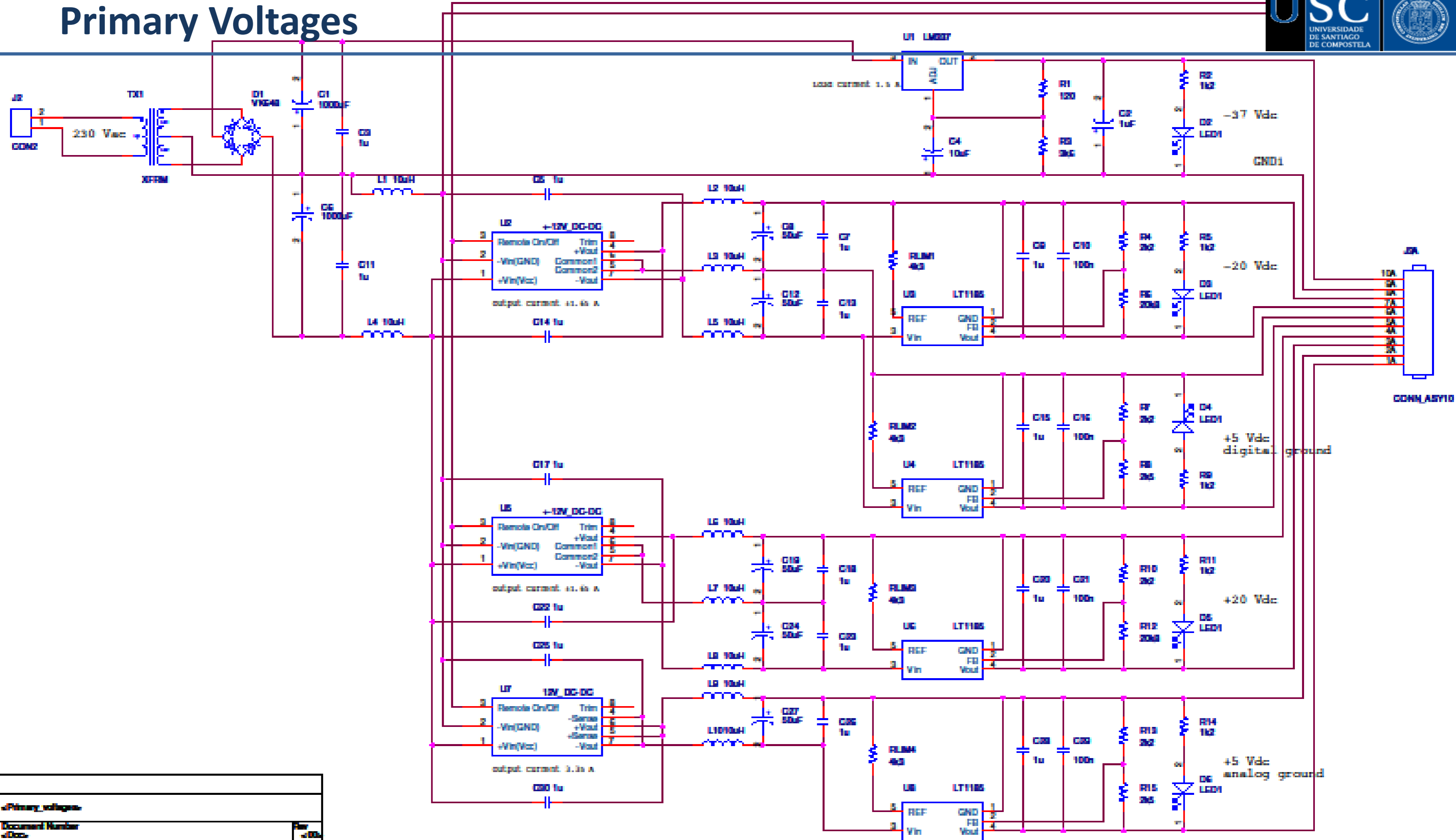


V (400 Ohm-cm)
48,58

V (200 Ohm-cm)
97,17

V (600 Ohm-cm)
32,39

Primary Voltages



Title		
Primary voltages		
Size	Document Number	Rev
01		001
Date: Tuesday, August 10, 2010		